

## Sensor-switched LED floodlight

# LS 150 S

black  
EAN 4007841 052546  
Article number 052546



LED

30 years (0 4,5h / day)

4000 K

4000K neutral white



infrared sensor  
240°



max. 10 m



IP44



2 - 1000 lux



10 sec - 15 min



Light source not  
exchangeable



Control gear not  
exchangeable



energy saving

### Function description

Extremely bright, robust and vigilant: the LS 150 S sensor-switched floodlight. On-demand light for illuminating large areas around buildings. Infrared sensor with 240° angle of coverage and 12 m reach. Light output 1486 lm, colour temperature 4000 K, power consumption 14,7 W. Robust aluminium floodlight head. Available in black or white.

### Technical specifications

|                            |  |
|----------------------------|--|
| Dimensions (L x W x H)     | 176 x 155 x 210 mm                                     |
| With lamp                  | Yes, STEINEL LED system                                |
| With motion detector       | Yes  |
| Manufacturer's Warranty    | 3 years  |
| Settings via               | Potentiometers   |
| Version                    | black  |
| PU1, EAN                   | 4007841052546  |
| Application, place         | Outdoors   |
| Application, room          | outdoors, all round the building, courtyard & driveway |
| Colour                     | black  |
| Includes corner wall mount | No   |
| Installation site          | wall, corner   |
| Installation               | Wall, corner, Surface wiring                           |
| Impact resistance          | IK03   |
| IP-rating                  | IP44   |
| Protection class           | I  |

|                               |                                |
|-------------------------------|--------------------------------|
| Mechanical scalability        | No                             |
| Reach, radial                 | r = 3.5 m (26 m <sup>2</sup> ) |
| Reach, tangential             | r = 12 m (302 m <sup>2</sup> ) |
| Cover material                | shrouds                        |
| Luminous flux total product   | 1375 lm                        |
| Measured luminous flux (360°) | 1486 lm                        |
| Total product efficiency      | 94 lm/W                        |
| Colour temperature            | 4000 K                         |
| Colour variation LED          | SDCM3                          |
| Lamp                          | LED cannot be replaced         |
| Service life LED L70B50 (25°) | > 36000 h                      |
| Soft light start              | No                             |
| Twilight setting              | 2 – 1000 lx                    |
| Time setting                  | 10 s – 15 Min.                 |
| Basic light level function    | No                             |
| Main light adjustable         | No                             |
| Interconnection               | No                             |

Sensor-switched LED floodlight

# LS 150 S

black  
EAN 4007841 052546  
Article number 052546



## Technical specifications

|                        |                          |                                    |                                |
|------------------------|--------------------------|------------------------------------|--------------------------------|
| Ambient temperature    | from -10 up to 30 °C     | Output                             | 14,7 W                         |
| Housing material       | Aluminium                | Colour Rendering Index CRI         | = 80                           |
| Cover material         | Glass transparent        | Optimum mounting height            | 2 m                            |
| Mains power supply     | 220 – 240 V / 50 – 60 Hz | Detection angle                    | 240 °                          |
| Mounting height max.   | 4,00 m                   | Product category                   | Sensor-switched LED floodlight |
| Sneak-by guard         | Yes                      | Energieeffizienzklasse Lichtquelle | E                              |
| Electronic scalability | No                       |                                    |                                |

## Accessories

EAN 4007841 630560

Corner wall mount LS 150 S

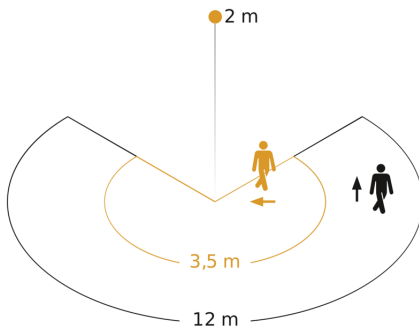
Sensor-switched LED floodlight

# LS 150 S

black  
EAN 4007841 052546  
Article number 052546

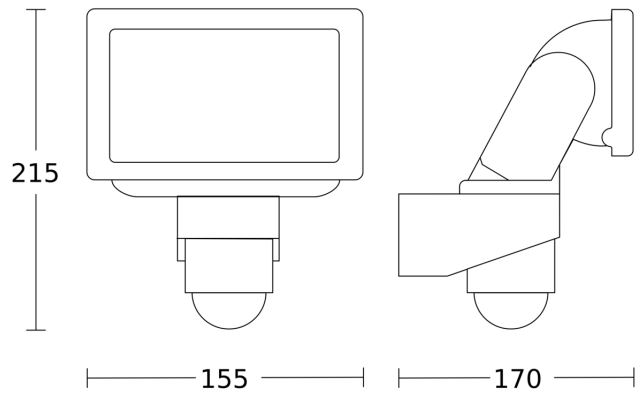


## Detection Zone



Possible mounting height: 1,80 m - 4,00 m  
Orange: radial  
Black: tangential

## Dimension Drawing



## Circuit diagram

